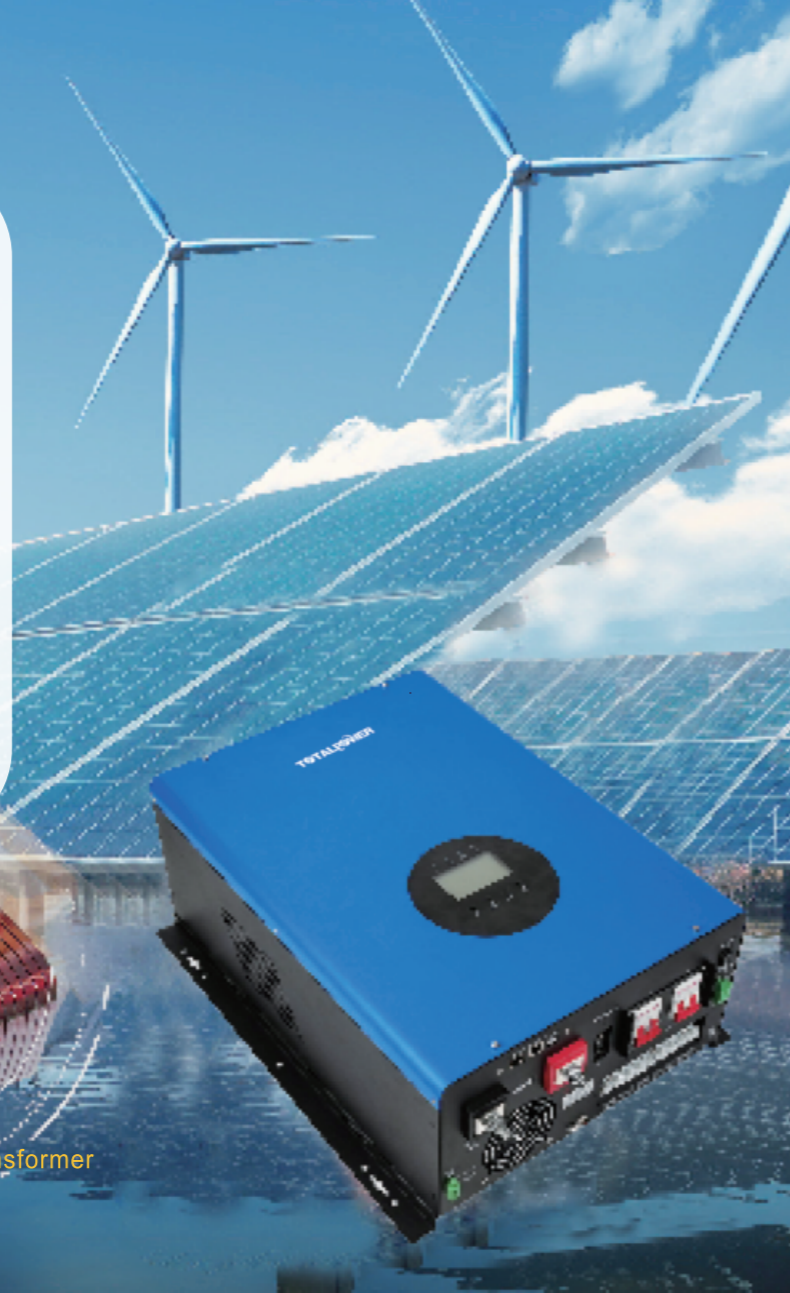


## GSIII4-12KW split phase Solar Hybrid Inverter

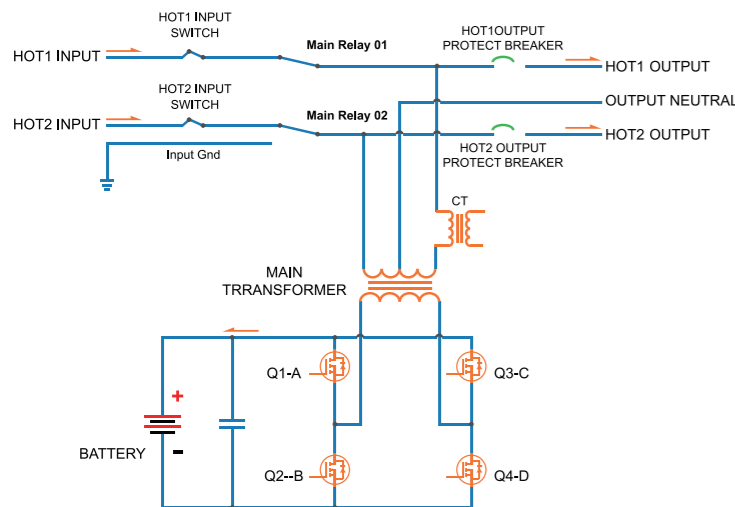
### Features:

1. GSIII Series AC/Solar charging Off-grid Hybrid Inverter.
2. LED/LCD display, Enhanced functions setting via LCD, Man-machine intelligent design.
3. Built-in 80A/160A optional MPPT solar charger controller.
4. LCD shows the solar capacity.
5. 5 stages adjustable AC charging current.AC charging can also be closed.
6. AC/DC priority modes can be set.
7. Generator restart signal(Dry contact).
8. 3 times peak power. Strong loading capacity.
9. Overload, output short-circuit protection.
10. WiFi optional, BMS communication, PVmax60-250V (48Vdc)

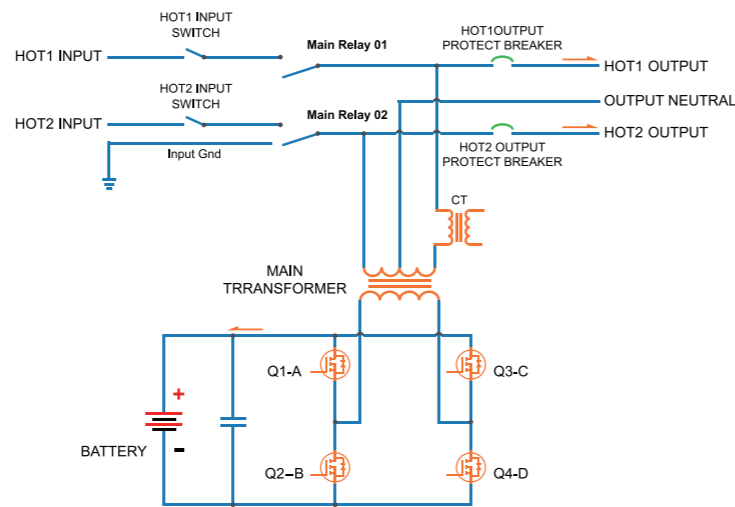


100% Pure Copper Transformer

### split phase inverter schematics AC mode



### split phase inverter schematics Battery Mode



TEXAS INSTRUMENTS

## Specifications

MODEL	GSIII4K-24-80A-SP	GSIII5K-24-80A-SP	GSIII6K-24-80A-SP	GSIII4K-48-80A-SP	GSIII5K-48-80A-SP	GSIII6K-48-80A-SP
Rated Power	4000W	5000W	6000W	4000W	5000W	6000W
Surge Power	12KW	15KW	18KW	12KW	15KW	18KW
<b>AC INPUT</b>						
Input Voltage Waveform	Sinusoidal (utility or generator)					
Nominal Input Voltage	HOT1- HOT2 : 240VAC					
Input Voltage Range	Normal : 180-270VAC ; Wide : 140-270VAC					
Input Frequency Range	50Hz:46~56Hz ; 60Hz:56~67Hz;					
<b>AC OUTPUT</b>						
Power Factor	0.9~1.0					
Load connection method(Max)	HOT1- HOT2 : Full Load; or HOT1- N: Half load ; HOT2- N: Half load					
Nominal output Voltage	HOT1- HOT2 : 240VAC ; HOT1- N: 120VAC ; HOT2- N: 120VAC					
Nominal output Frequency	50/60Hz±0.3 (LCD Adjustable)					
Wave Form	Pure sine Wave					
Transfer time (Max)	15ms (DC to AC) ; 20ms (AC to DC)					
<b>BATTERY</b>						
Nominal Battery voltage	24.0VDC		48.0VDC			
Low Battery shut-down	20.0VDC		40.0VDC			
Floating Charging Voltage	27.4VDC		54.8VDC			
High-voltage protection	32.0VDC		64.0VDC			
<b>Efficiency</b>						
Efficiency (Battery mode)	≥87%					
Efficiency (Line mode)	>98%					
<b>Solar Charger &amp; AC Charger</b>						
Solar Charger Type	MPPT					
PV Input Max Power	2300W			4500W		
PV operating voltage range	30-140VDC			60-240VDC		
Max. PV Voltage	150VDC			250VDC		
Max Solar Charging Current	80A	80A	80A	80A	80A	80A
Max AC Charging Current	70A	70A	70A	50A	50A	50A
<b>PHYSICS</b>						
Dimension L*W*H(mm)	572*441*205					
Net weight(kg)	34.8	36.8	39.8	34.8	36.8	39.8
Communications interface	RS232/Dry-contact					
Operating Humidity	5% to 95% Relative Humidity(non-condensing)					
Operating Temperature	-10~45 C					
Storage temperature	-15-60 C					
<b>STANDARD</b>						
Safety certification	CE /ETL					

Product specifications are subject to change without further notice.



## GSIII4-12KW split phase Solar Hybrid Inverter

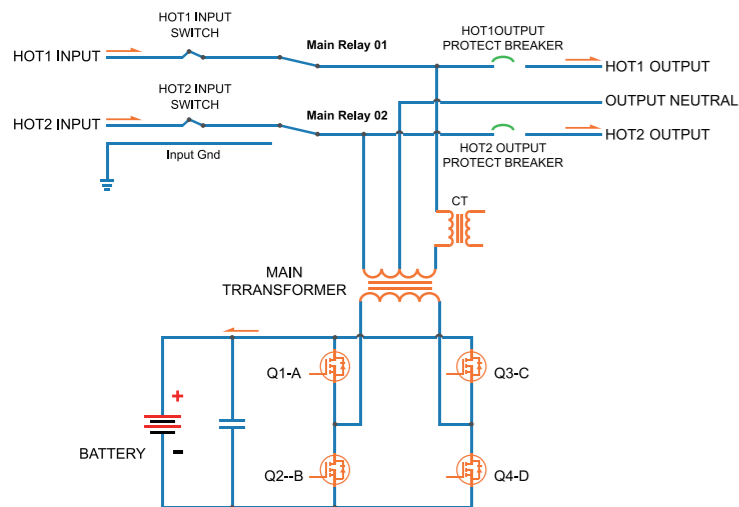
### Features:

1. GSIII Series AC/Solar charging Off-grid Hybrid Inverter.
2. LED/LCD display, Enhanced functions setting via LCD, Man-machine intelligent design.
3. Built-in 80A/160A optional MPPT solar charger controller.
4. LCD shows the solar capacity.
5. 5 stages adjustable AC charging current.AC charging can also be closed.
6. AC/DC priority modes can be set.
7. Generator restart signal(Dry contact).
8. 3 times peak power. Strong loading capacity.
9. Overload, output short-circuit protection.
10. WiFi optional, BMS communication, PVmax60-250V (48Vdc)

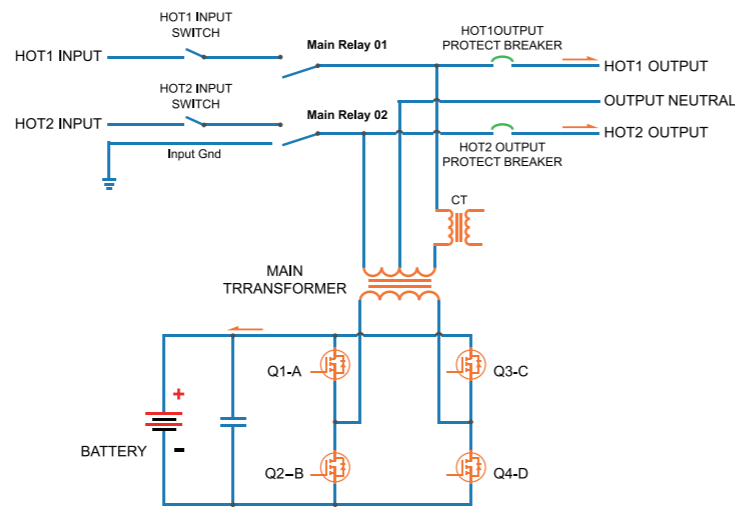


100% Pure Copper Transformer

### split phase inverter schematics AC mode



### split phase inverter schematics Battery Mode



## Data Specifications:

MODEL	GSIII8K-48-160A-SP	GSIII10K-48-160A-SP	GSIII12K-48-160A-SP
Rated Power	8000W	10000W	12000W
Surge Power	24KW	30KW	36KW
<b>AC INPUT</b>			
Input Voltage Waveform	Sinusoidal (utility or generator)		
Nominal Input Voltage	HOT1- HOT2 : 240VAC		
Input Voltage Range	Normal : 180-270VAC ; Wide : 140-270VAC		
Input Frequency Range	50Hz:46~56Hz ; 60Hz:56~67Hz;		
<b>AC OUTPUT</b>			
Power Factor	0.9~1.0		
Load connection method(Max)	HOT1- HOT2 : Full Load; or HOT1- N: Half load ; HOT2- N: Half load		
Nominal output Voltage	HOT1- HOT2 : 240VAC ; HOT1- N: 120VAC ; HOT2- N: 120VAC		
Nominal output Frequency	50/60Hz±0.3 (LCD Adjustable)		
Wave Form	Pure sine Wave		
Transfer time (Max)	15ms (DC to AC) ; 20ms (AC to DC)		
<b>BATTERY</b>			
Nominal Battery voltage	48.0VDC		
Low Battery shut-down	40.0VDC		
Floating Charging Voltage	54.8VDC		
High-voltage protection	64.0VDC		
<b>Efficiency</b>			
Efficiency (Battery mode)	≥87%		
Efficiency (Line mode)	>98%		
<b>Solar Charger &amp; AC Charger</b>			
Solar Charger Type	Dual MPPT		
PV Input Max Power	2*4500W		
PV operating voltage range	60-240VDC		
Max. PV Voltage	250VDC		
Max Solar Charging Current	160A	160A	160A
Max AC Charging Current	70A	70A	70A
<b>PHYSICS</b>			
Dimension L*W*H(mm)	642*449*220		
Net weight(kg)	52.8	62.3	70.8
Communications interface	RS232/Dry-contact		
Operating Humidity	5% to 95% Relative Humidity(non-condensing)		
Operating Temperature	-10~45 C		
Storage temperature	-15-60 C		
<b>STANDARD</b>			
Safety certification	CE /ETL		

Product specifications are subject to change without further notice.